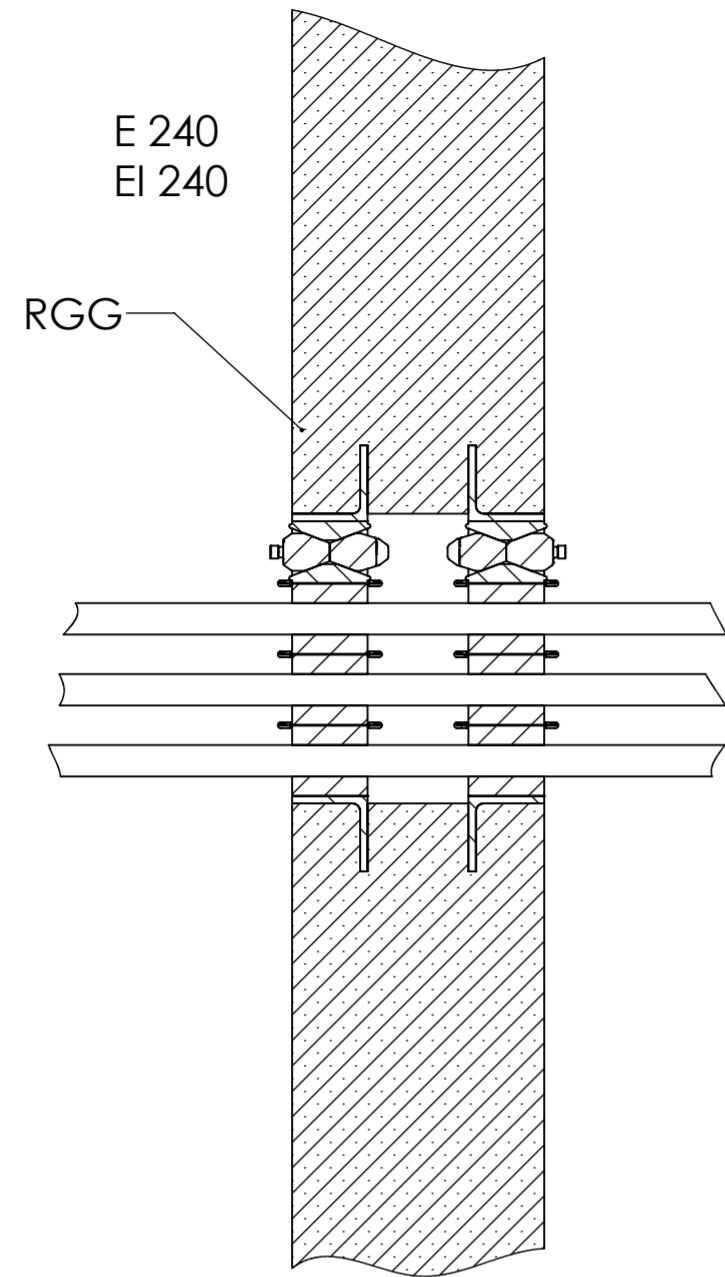


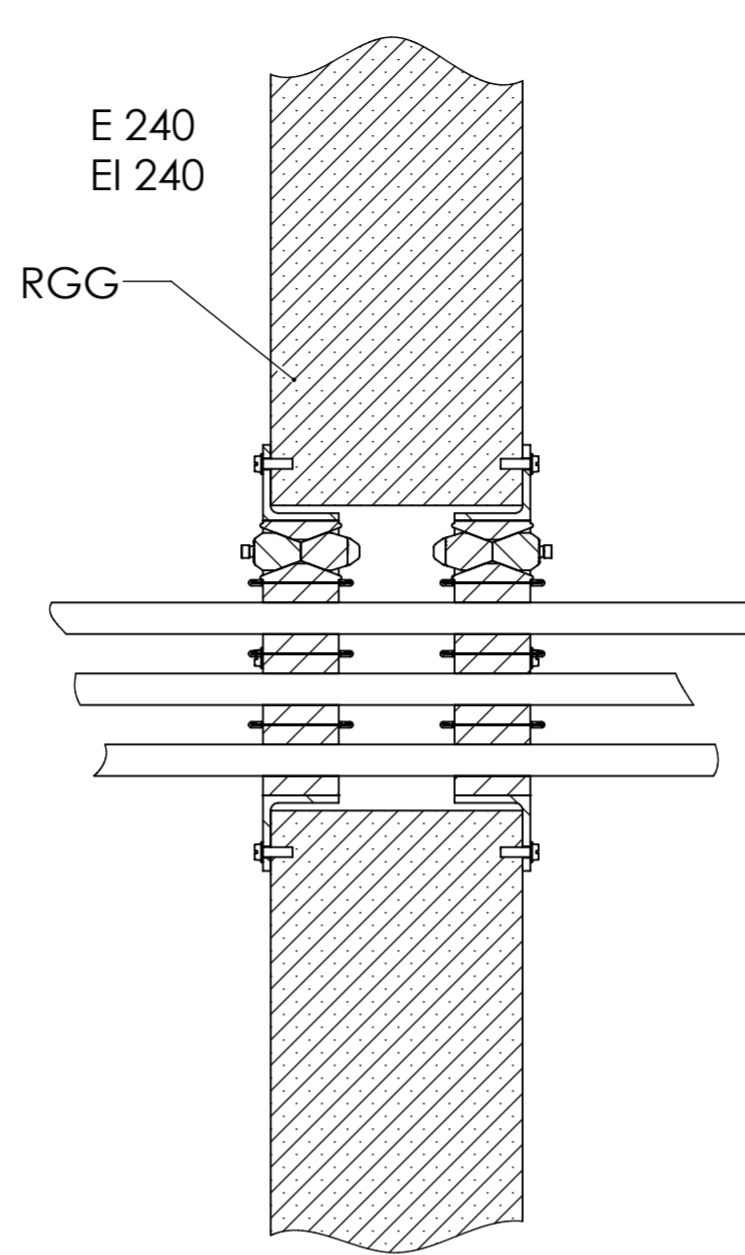
THIS DOCUMENT MUST NOT BE COPIED WITHOUT OUR WRITTEN PERMISSION, AND THE CONTENTS THEREOF MUST NOT BE IMPARTED TO A THIRD PARTY WITHOUT OUR WRITTEN PERMISSION. THIS DOCUMENT IS NOT TO BE USED FOR ANY UNAPPROVED PURPOSE. CONTRAVENTION WILL BE PROSECUTED.

REVISIONS			
REV.	DESCRIPTION	DATE	SIGNATURE
A		2021-12-02	JA

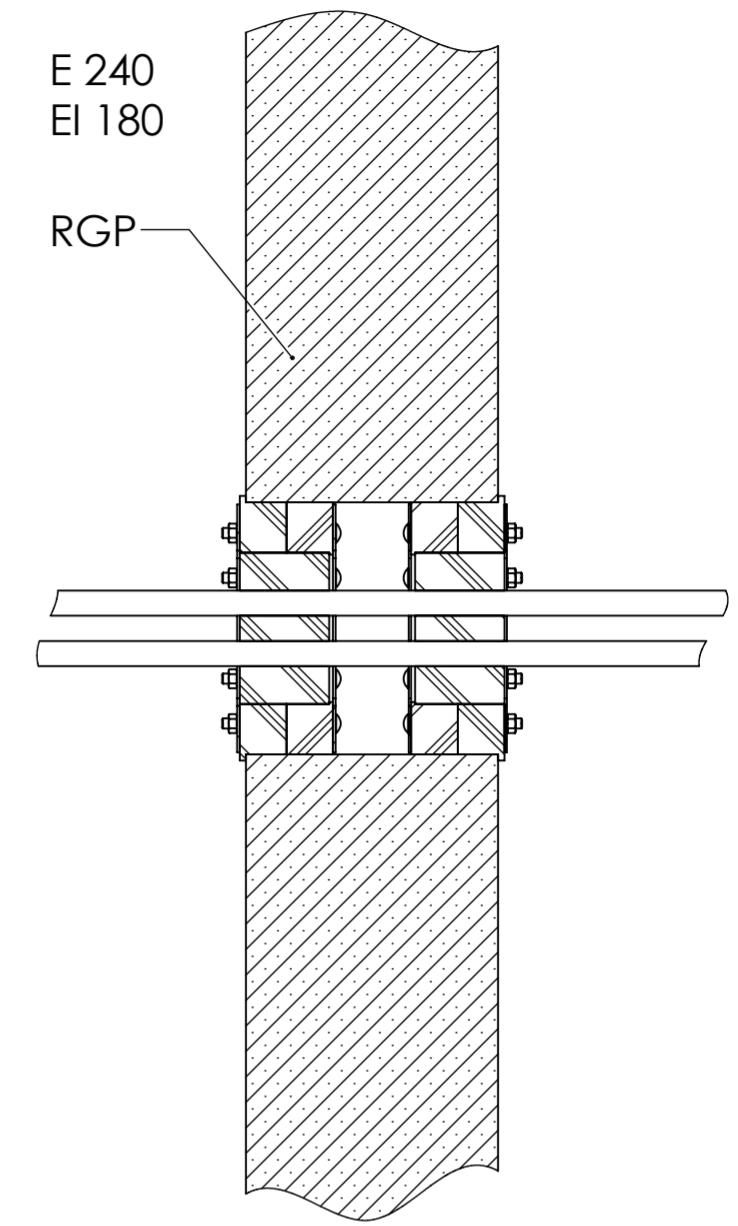
EMBEDED



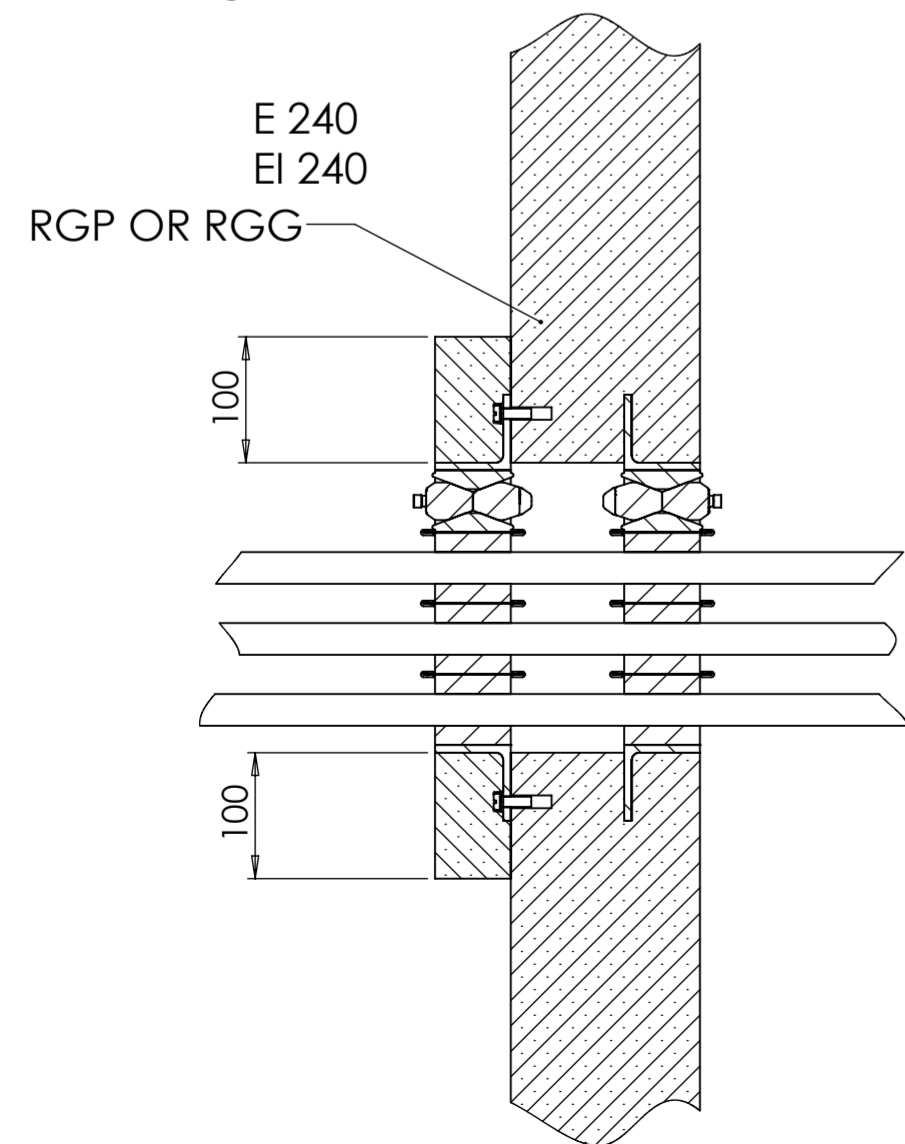
BOLTED



CORE DRILLED HOLES

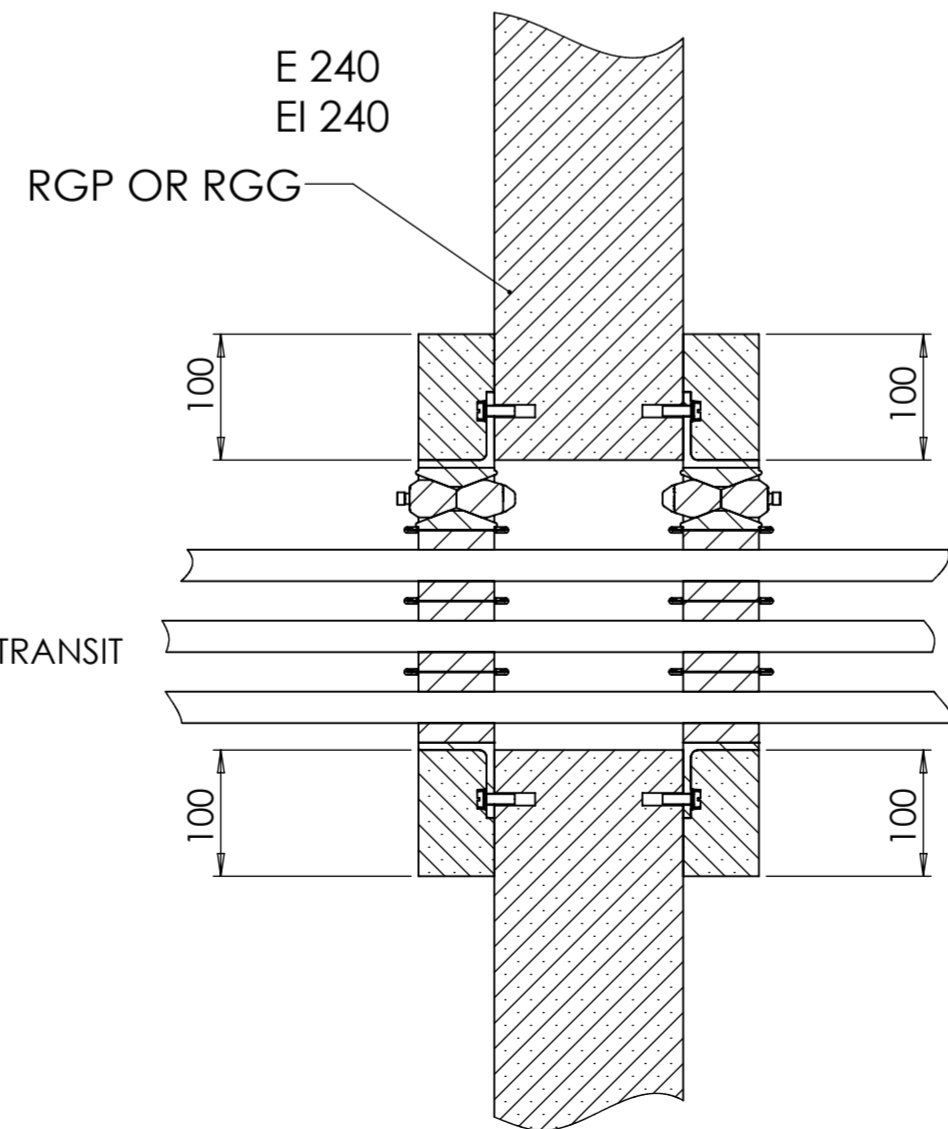


MORTAR



ADD MORTAR TO COVER THE TRANSIT FRAME SIDES AND FLANGE

MORTAR



*CABLE DIMENSIONS UP TO Ø80 FOR ALL CONFIGURATIONS.

FIRE SIDE ON BOTH SIDES IN ALL CONFIGURATIONS

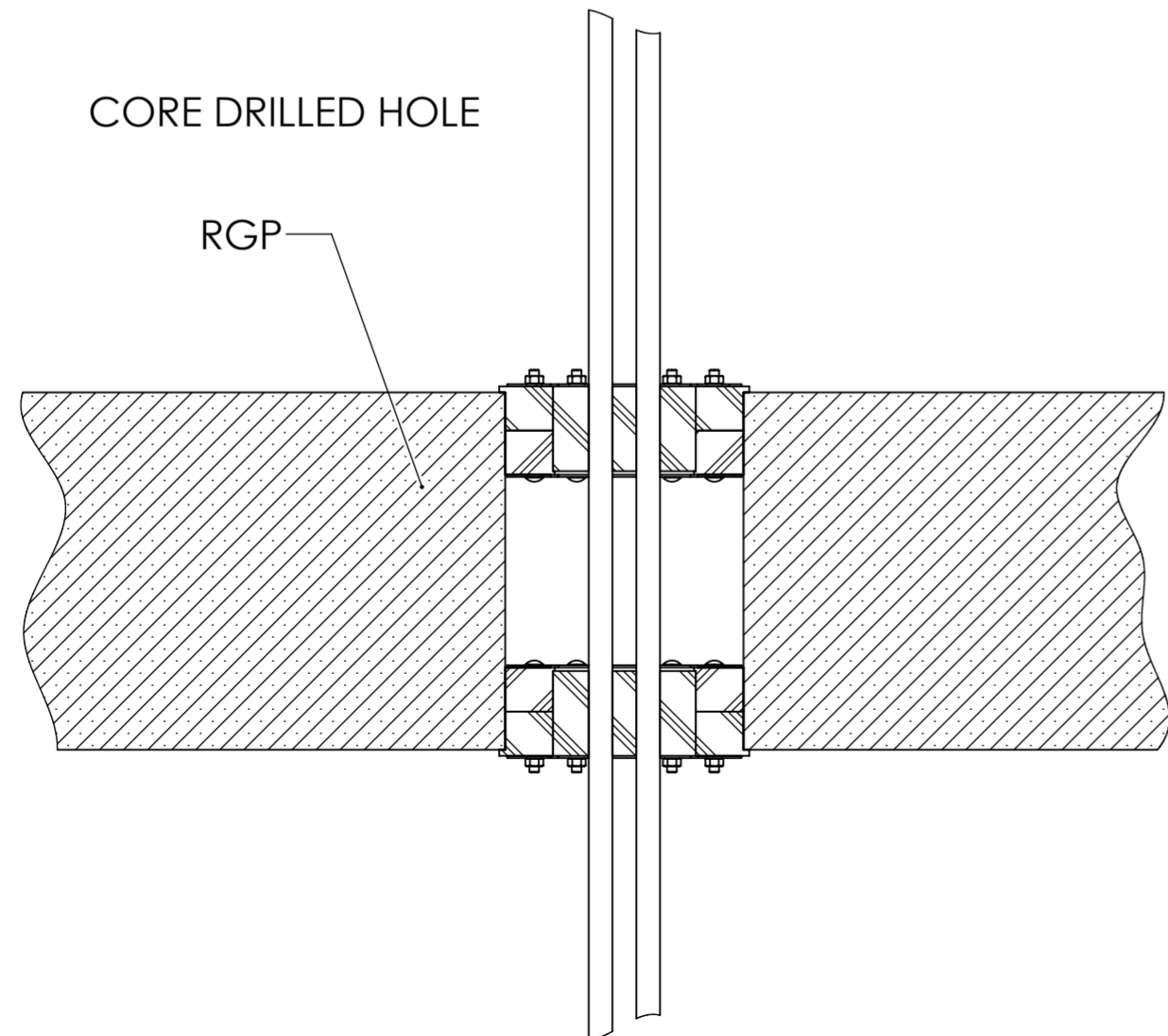
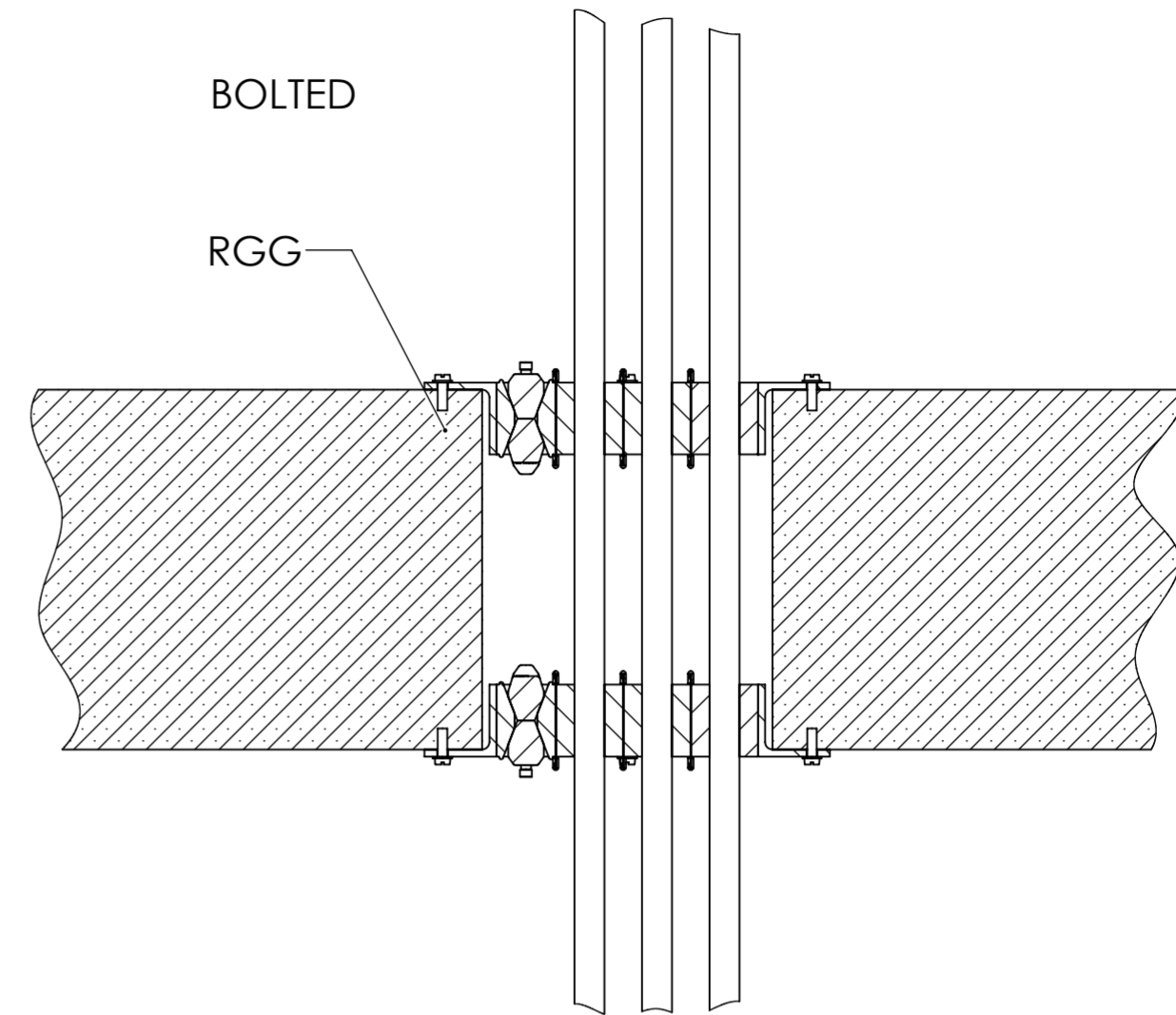
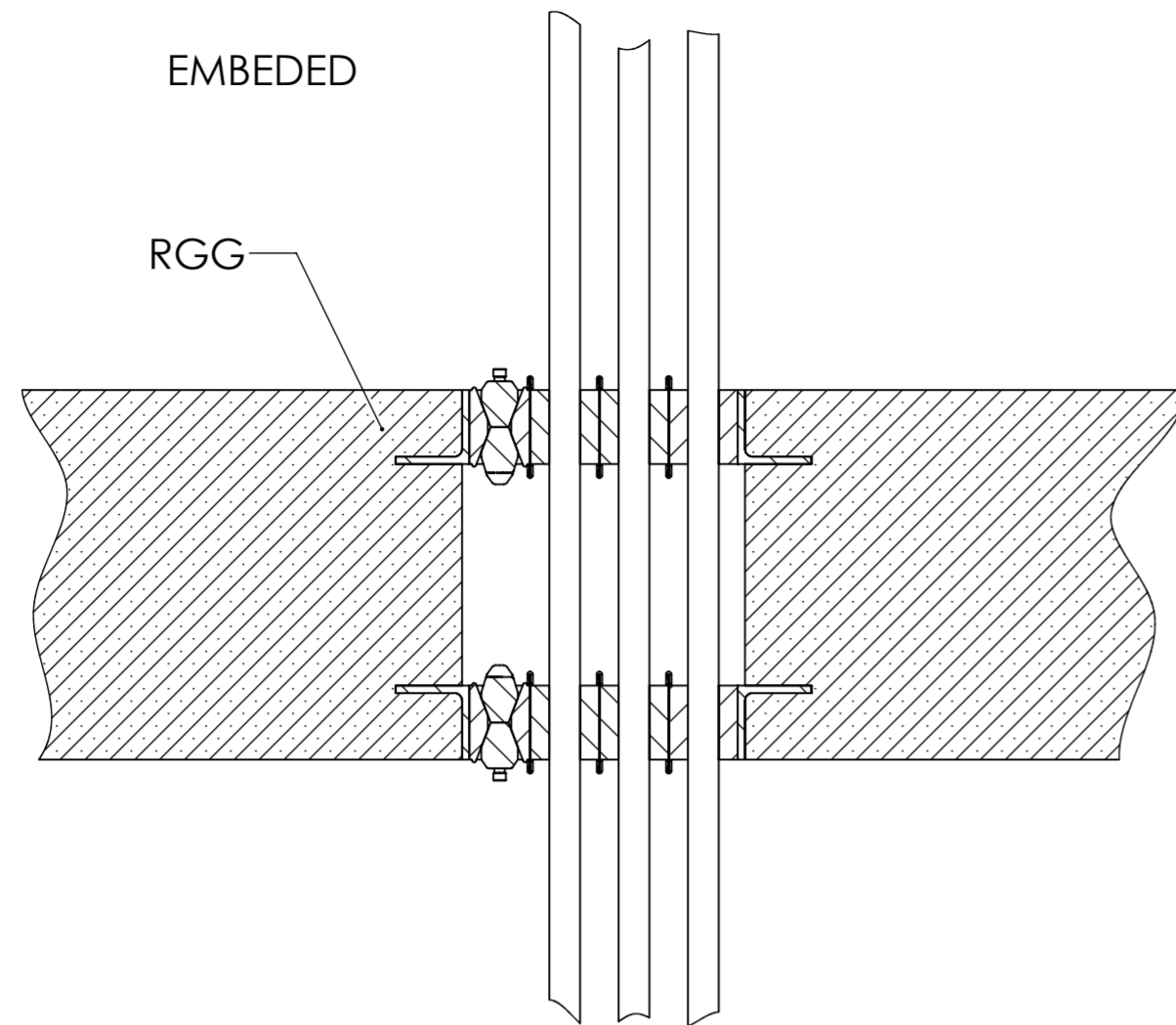
NOTE:* TYPES OF CABLES acc. TABLE A. 1 EN-1366-3. STANDARD SHEATHED CABLES COVER ALL CABLE TYPES USUALLY AND COMMONLY USED IN BUILDING PRACTICE IN EUROPE, WITH EXCEPTION OF CABLE BUNDLES, WAVEGUIDES AND NON-SHEATHED CABLES. OPTICAL CABLES ARE COVERED. NON-SHEATHED CABLE GROUP G1: UP TO Ø17 AND G2: UP TO Ø24 ARE VALID.

Ritad Drawn	Kontr. Check	Granskad Reviewed	Godkänd Approved	Tolerans där ej annat anges Tolerance unless otherwise not stated	Smsl. nr. Assembly drawing no.	Ersätter Replaces	E
JA	JA	AK	BJ	Ytjämnhet där ej annat anges. Surface finish otherwise not stated	Material	Ersatt av Replaced of	Vikt Weight
211202	220614	220614	220614			Alla mått och uppgifter avser färdig produkt om ej annat anges. All measures and other information refer to finished products unless otherwise not stated.	
				ETA CONCRETE WALL BTB CABLE		Kund ordernr. Customer order no	
						Ritn. nr. Draw. no.	Rev.
						1210320	A



THIS DOCUMENT MUST NOT BE COPIED WITHOUT OUR WRITTEN PERMISSION, AND THE CONTENTS THEREOF MUST NOT BE IMPARTED TO A THIRD PARTY WITHOUT OUR WRITTEN PERMISSION. ANY USE FOR ANY UNAPPROVED PURPOSE, CONTRAVENTION WILL BE PROSECUTED.

REVISIONS			
REV.	DESCRIPTION	DATE	SIGNATURE
A		2021-12-02	JA



*CABLE DIMENSIONS UP TO Ø80
E120, EI120
FOR ALL CONFIGURATIONS

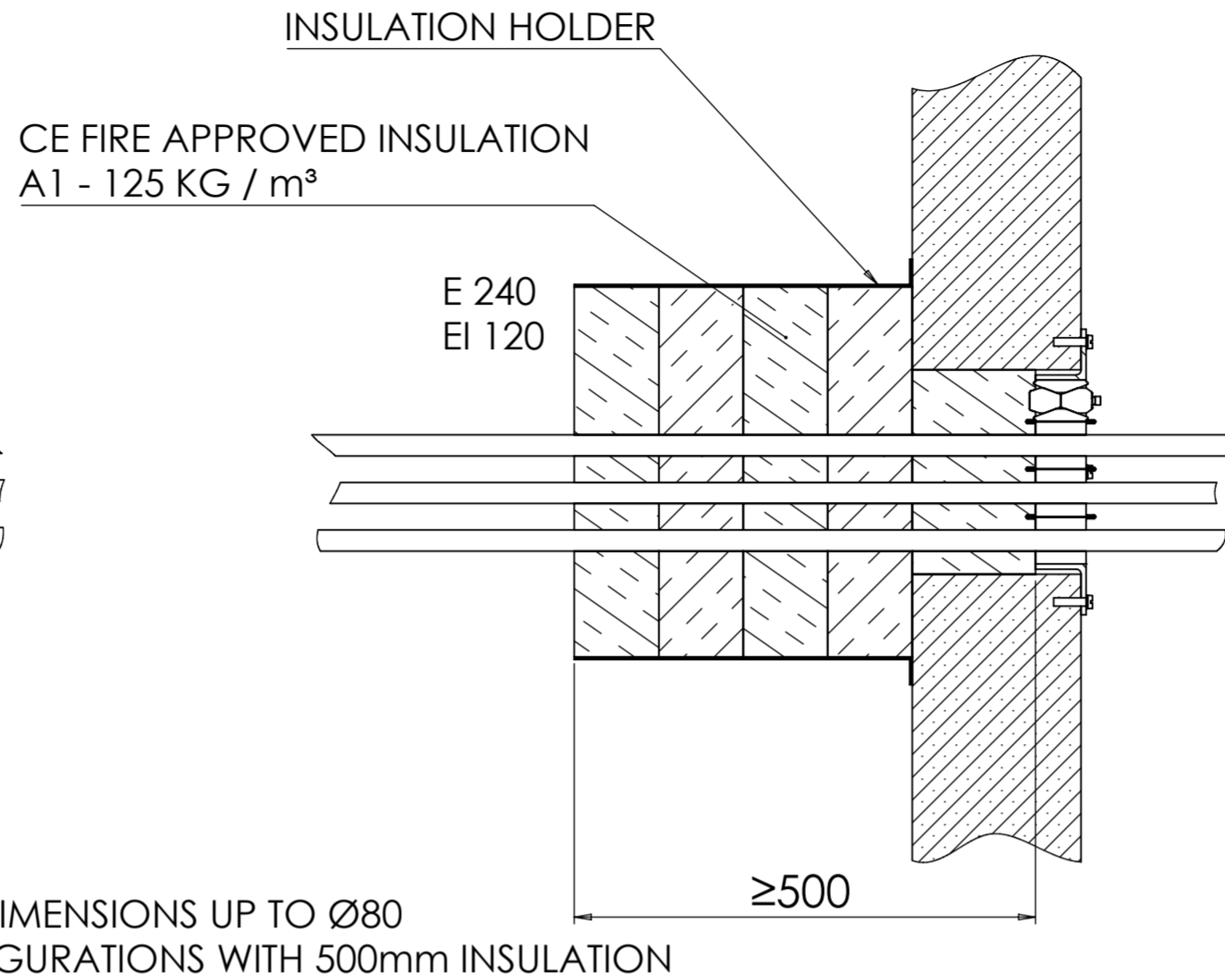
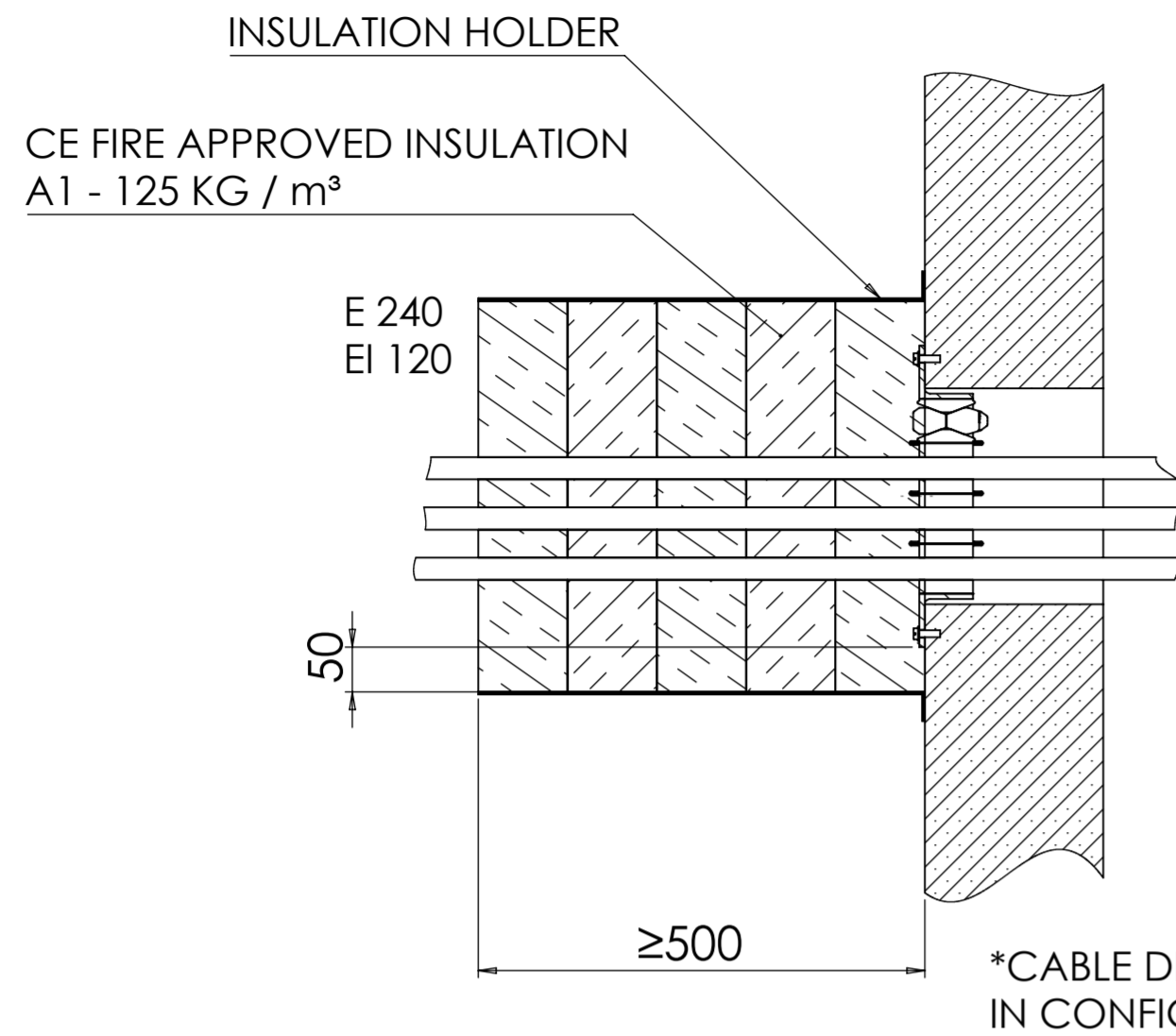
FIRE SIDE ON BOTH SIDES IN ALL CONFIGURATIONS

NOTE:* TYPES OF CABLES acc. TABLE A. 1 EN-1366-3.
STANDARD SHEATHED CABLES COVER ALL CABLE TYPES USUALLY AND COMMONLY USED IN BUILDING PRACTICE IN EUROPE, WITH EXCEPTION OF CABLE BUNDLES, WAVEGUIDES AND NON-SHEATHED CABLES. OPTICAL CABLES ARE COVERED.
NON-SHEATHED CABLE GROUP G1: UP TO Ø17 AND G2: UP TO Ø24 ARE VALID.

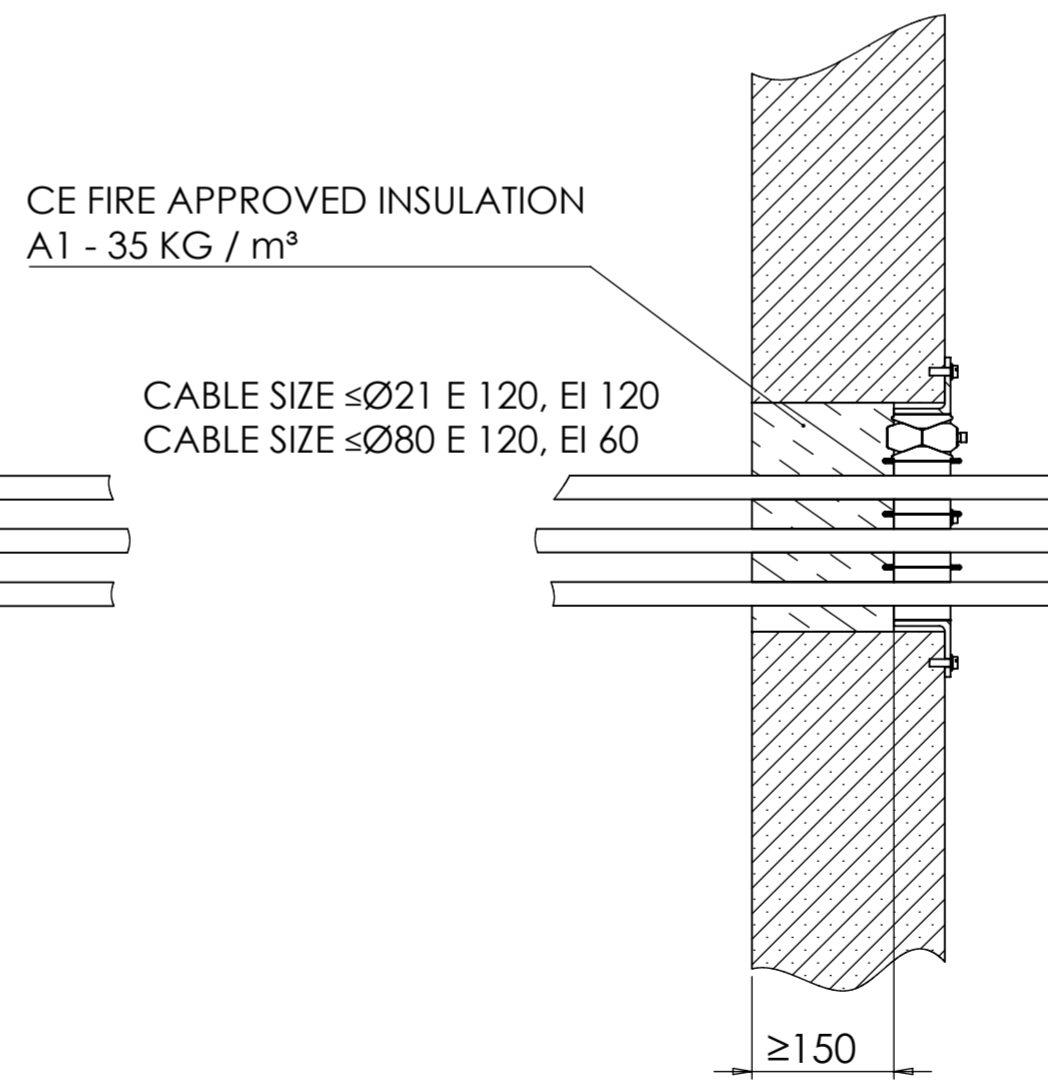
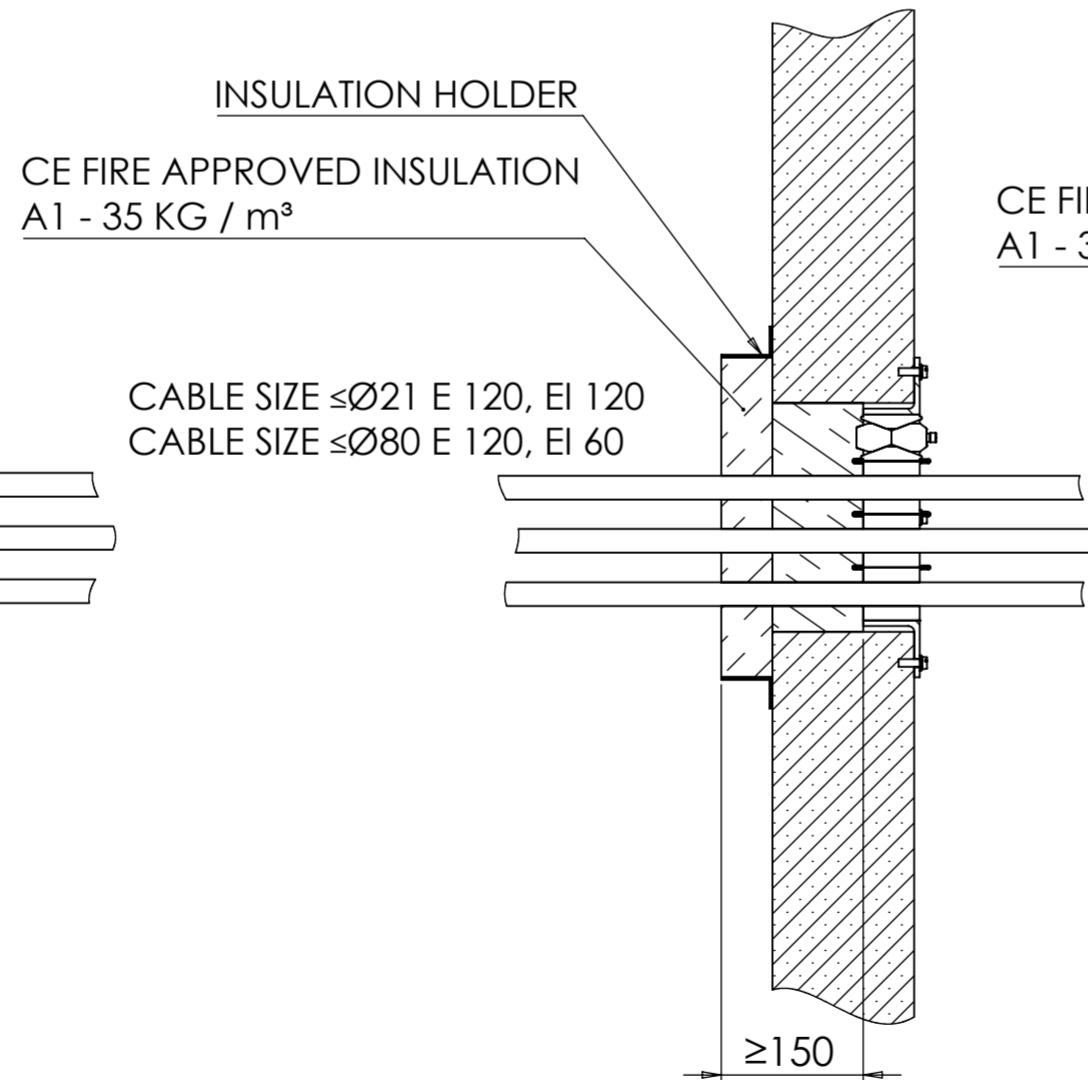
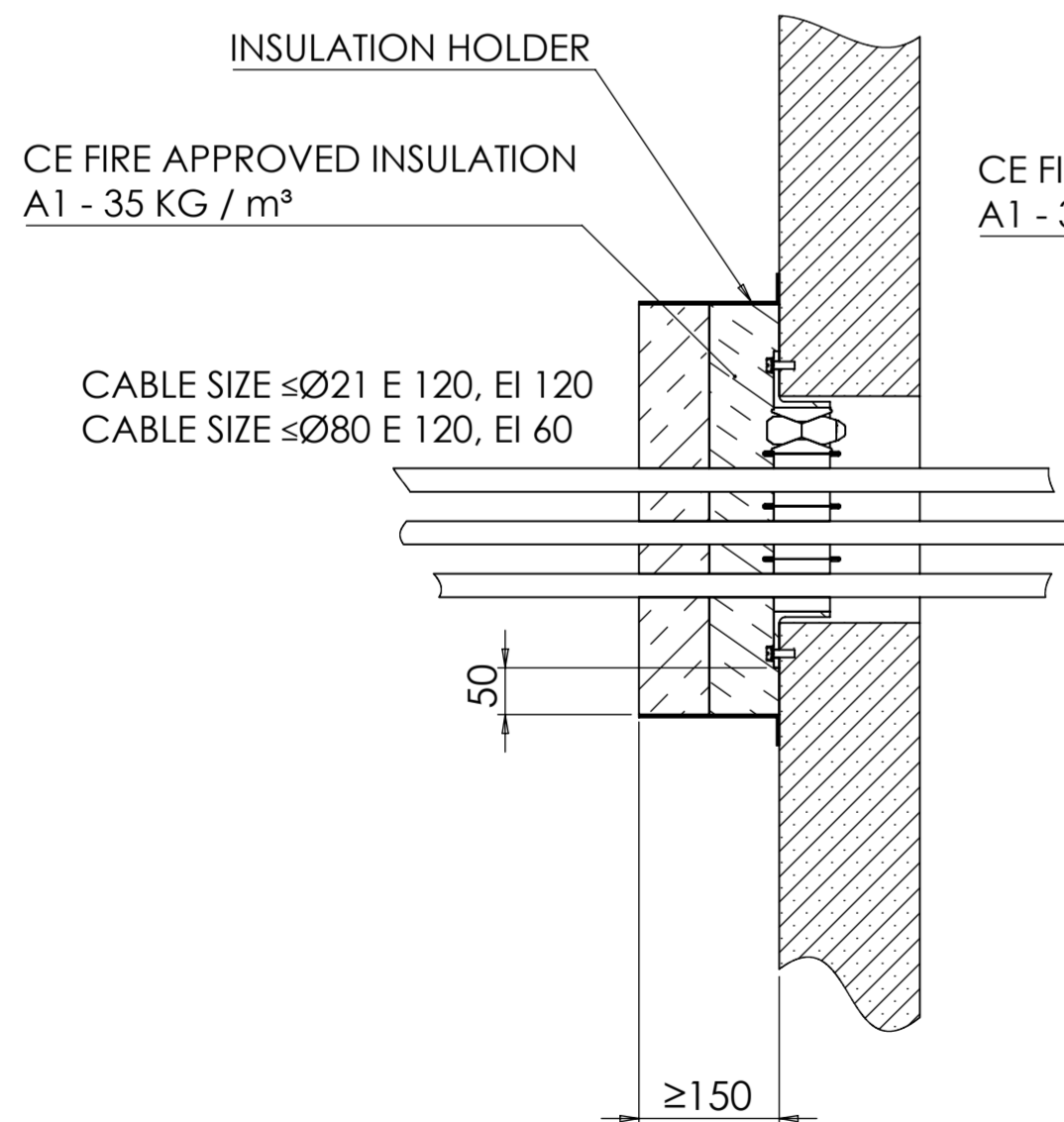
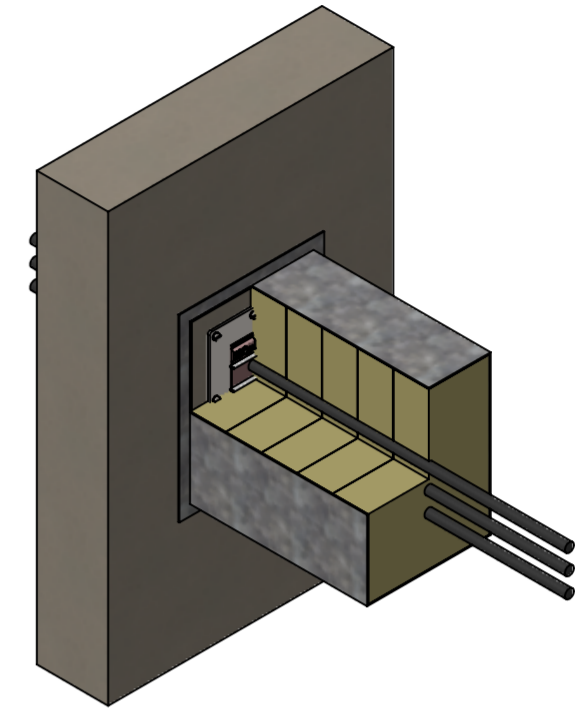
Ritad Drawn	Kontr. Check	Granskad Reviewed	Godkänd Approved	Tolerans där ej annat anges Tolerance unless otherwise not stated.	Smsl. nr. Assembly drawing no.	Ersätter Replaces	E
JA	JA	AK	BJ	Ytjämnhet där ej annat anges. Surface finish otherwise not stated.	Material	Ersatt av Replaced of	Vikt Weight
211203	220614	220614	220614			Alla mått och uppgifter avser färdig produkt om ej annat anges. All measures and other information refer to finished products unless otherwise not stated.	
						Kund ordernr. Customer order no.	
						Ritn. nr. Draw. no.	Rev.
ETA CONCRETE FLOOR BTB CABLE						1210321	A

THIS DOCUMENT MUST NOT BE COPIED WITHOUT OUR WRITTEN PERMISSION, AND THE CONTENTS THEREOF MUST NOT BE IMPARTED TO A THIRD PARTY WITHOUT OUR WRITTEN PERMISSION. THIS DOCUMENT IS NOT TO BE USED FOR ANY UNAPPROVED PURPOSE. CONVENTION WILL BE PROSECUTED.

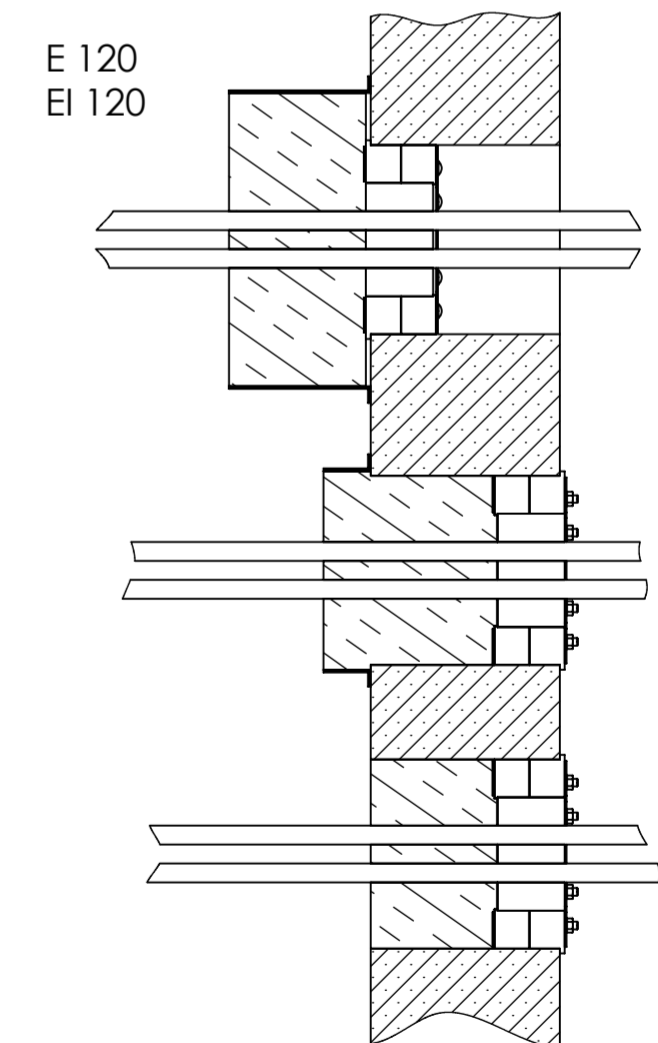
REVISIONS			
REV.	DESCRIPTION	DATE	SIGNATURE
A		2021-12-06	JA



FIRE SIDE ON BOTH SIDES IN ALL CONFIGURATIONS



SAME APPLICATIONS APPLIED FOR RGP WITH 150mm INSULATION

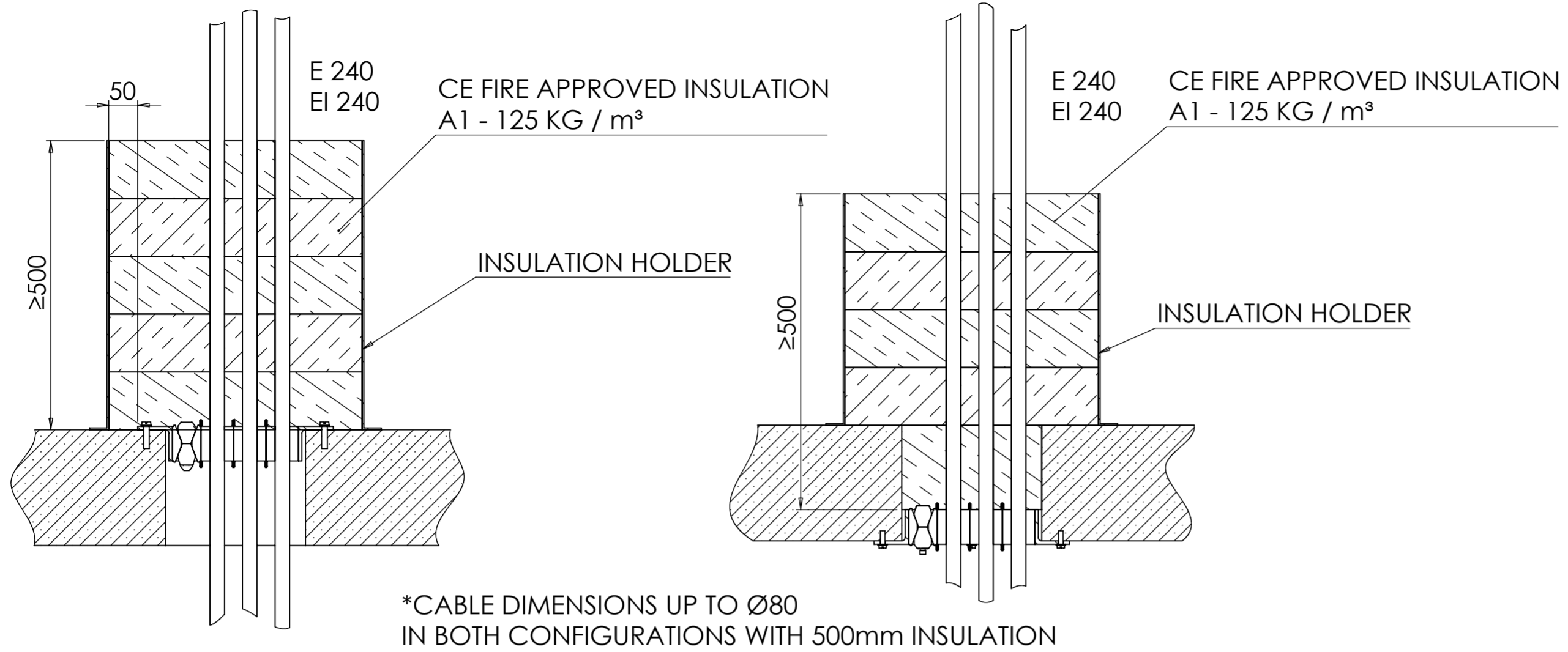


NOTE: * TYPES OF CABLES acc. TABLE A. 1 EN-1366-3.
STANDARD SHEATHED CABLES COVER ALL CABLE TYPES USUALLY AND COMMONLY USED IN BUILDING PRACTICE IN EUROPE, WITH EXCEPTION OF CABLE BUNDLES, WAVEGUIDES AND NON-SHEATHED CABLES. OPTICAL CABLES ARE COVERED.
NON-SHEATHED CABLE GROUP G1: UP TO Ø17 AND G2: UP TO Ø24 ARE VALID.

Ritad Drawn	Kontr. Check	Granskad Reviewed	Godkänd Approved	Tolerans där ej annat anges Tolerance unless otherwise not stated.	Smsl. nr. Assembly drawing no.	Ersätter Replaces	E
JA	JA	AK	BJ	Ytjämnhet där ej annat anges. Surface finish otherwise not stated.	Material	Ersatt av Replaced of	Vikt Weight
211206	220614	220614	220614			Alla mått och uppgifter avser färdig produkt om ej annat anges. All measures and other information refer to finished products unless otherwise not stated.	
				ETA CONCRETE WALL INSULATION CABLE		Kund ordernr. Customer order no.	
						Ritn. nr. Draw. no.	Rev.
						1210322	A

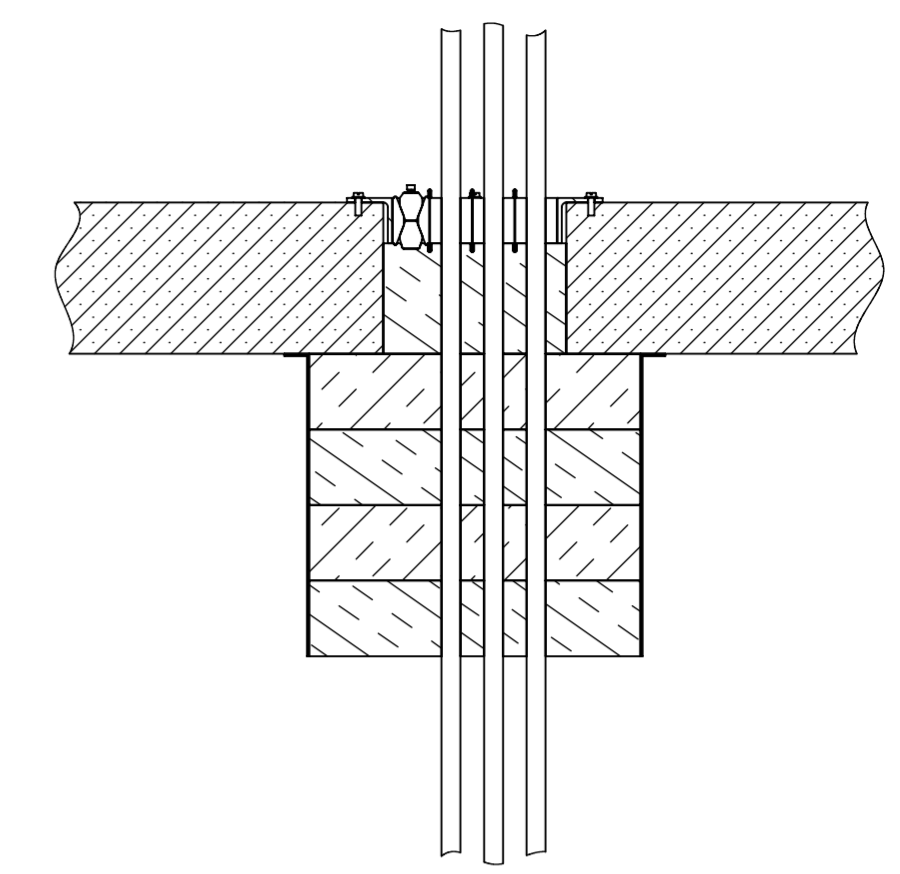


THIS DOCUMENT MUST NOT BE COPIED WITHOUT OUR WRITTEN PERMISSION, AND THE CONTENTS THEREOF MUST NOT BE IMPARTED TO A THIRD PARTY WITHOUT OUR WRITTEN PERMISSION. FOR ANY UNAUTHORIZED REPRODUCTION OR USE FOR ANY UNAUTHORIZED PURPOSE, CONVICTION WILL BE PROSECUTED.

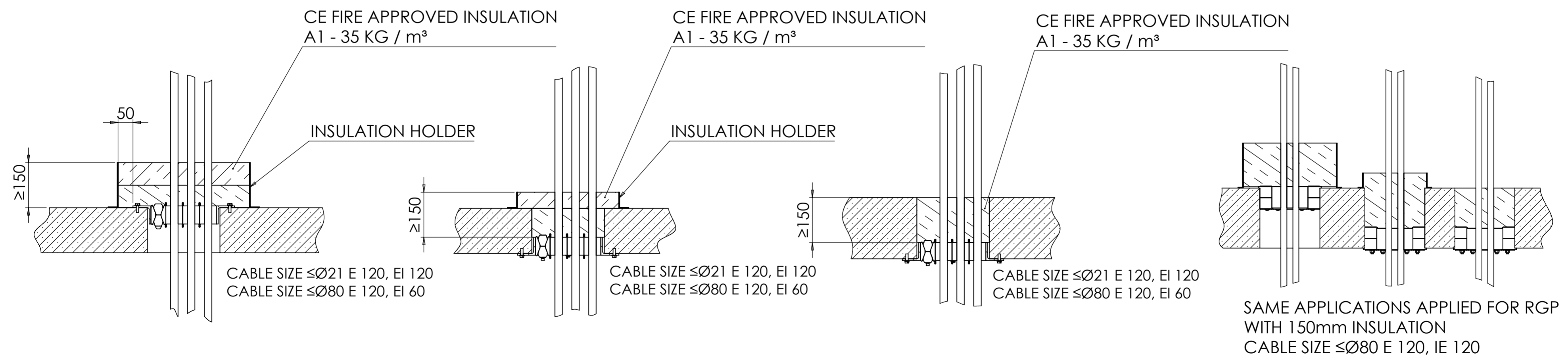


FIRE SIDE ON BOTH SIDES IN ALL CONFIGURATIONS

REVISIONS			
REV.	DESCRIPTION	DATE	SIGNATURE
A		2021-12-06	JA



ALTERNATIV TRANSIT AND INSULATION PLACEMENT FOR ALL CONFIGURATIONS



NOTE: * TYPES OF CABLES acc. TABLE A. 1 EN-1366-3.
STANDARD SHEATHED CABLES COVER ALL CABLE TYPES USUALLY AND COMMONLY USED IN BUILDING PRACTICE IN EUROPE, WITH EXCEPTION OF CABLE BUNDLES, WAVEGUIDES AND NON-SHEATHED CABLES. OPTICAL CABLES ARE COVERED.
NON-SHEATHED CABLE GROUP G1: UP TO Ø17 AND G2: UP TO Ø24 ARE VALID.

Ritad Drawn	Kontr. Check	Granskad Reviewed	Godkänd Approved	Tolerans där ej annat anges Tolerance unless otherwise not stated.	Smsl. nr. Assembly drawing no.	Ersätter Replaces	E
JA	JA	AK	BJ	Ytjämnhet där ej annat anges. Surface finish otherwise not stated.	Material	Ersatt av Replaced of	Vikt Weight
211207	220614	220614	220614			Alla mått och uppgifter avser färdig produkt om ej annat anges. All measures and other information refer to finished products unless otherwise not stated.	
						Kund ordernr. Customer order no.	
						Ritn. nr. Draw. no.	Rev.
ETA CONCRETE FLOOR INSULATION CABLE						1210323	A